

[Home](#) ■ [Products](#) ■ [Sludge Treatment](#) ■ [Sludge Dewatering](#) ■ [HUBER Screw Press S-PRESS](#)

HUBER Screw Press S-PRESS



Sturdy, flexibly applicable sludge dewatering unit

The Screw Press consists in a cylindrical wedge wire basket. A preceding flocculation reactor ensures a sludge flock quality that allows dewatering of the sludge flocks and stabilises the flocculated sludge.

The free water drains through the basket whilst the solids inside the basket are conveyed gently upwards through the inclined basket by a slowly rotating screw. Continuous dewatering of the sludge takes place in the Screw Press with an increasing build-up of pressure due to the conical basket, which reduces the sludge cake volume in the press zone.

The filtration pressure inside the machine is adjustable by means of a pressure cone in the sludge discharge. Screen basket cleaning is performed by means of an automatic washing system.

Benefits

ADVANTAGES OF THE HUBER SCREW PRESS S-PRESS

- Sludge volume reduction up to 90 %
- Minimum wear and vibration due to the low speed of the compacting screw < 5 rpm
- Insensitive to coarse material, designed for high solids loads
- Maximum system availability due to the virtually wear-resistant and clog-free stainless steel wedge section basket

- No need for lubrication
- Completely encapsulated, odour-free plant
- Low noise < 68 dB(A)
- No vibration
- Pneumatically controlled pressure cone system
- Extra sturdy design for industrial applications
- More than 500 installations worldwide

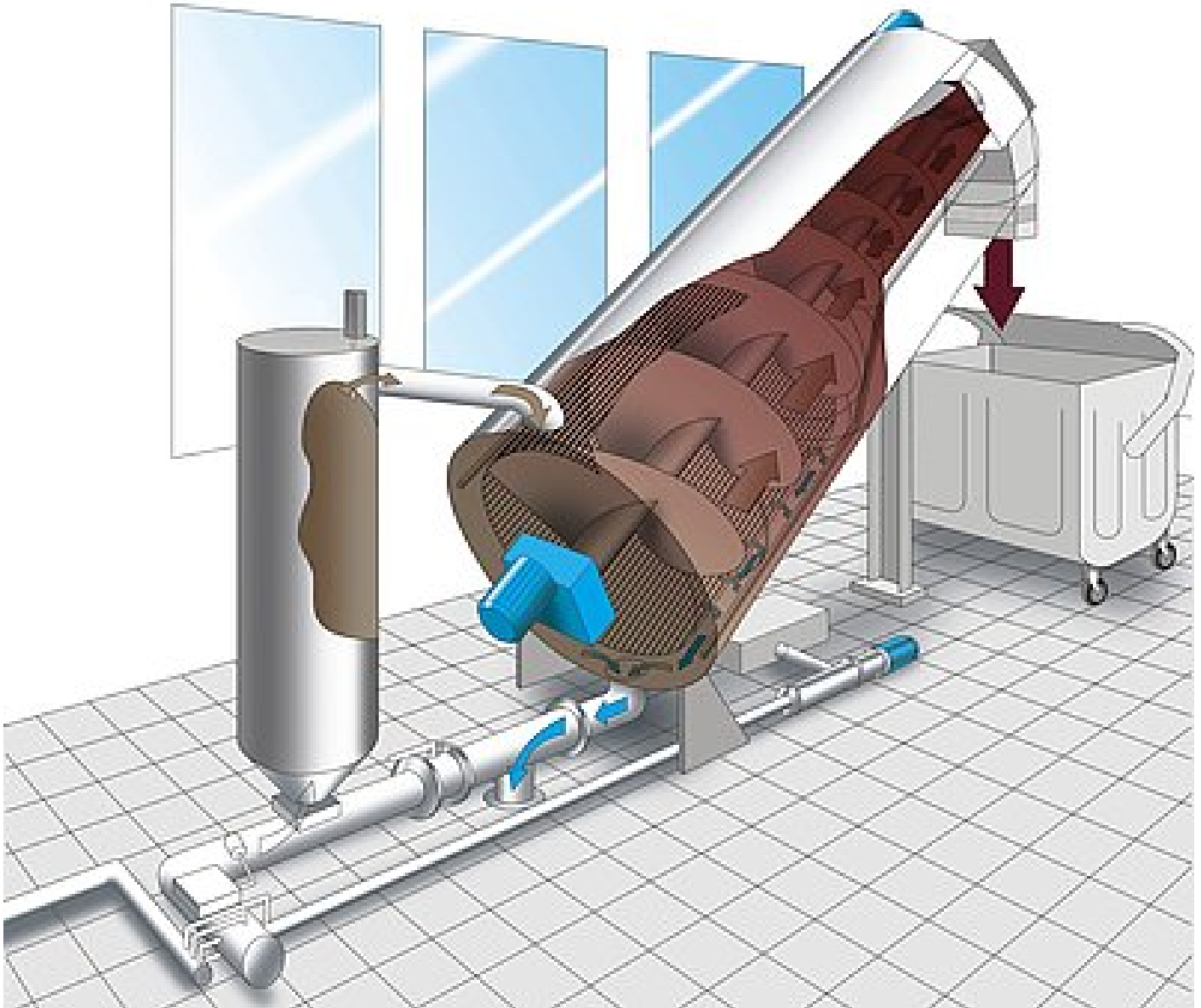
Downloads

 [Brochure: HUBER Screw Press S-PRESS \(RoS3\)](#) [pdf, 429 KB]

Case Studies

- [New machine to dewater fermentation residues in dry fermentation](#)
- [ROTAMAT® Screw Press RoS 3 – an international success in paper industry applications](#)
- [Huber Screenings and Sludge Treatment Equipment in Northern Ireland](#)
- [HUBER SeptageTreat® Solution in Sweden](#)
- [Wastewater Pre-Treatment Solution for a Slaughterhouse in Norway](#)
- [State-of-the-art HUBER Wastewater solution for Europe's largest slaughterhouse](#)
- [HUBER Septic Sludge Treatment in Kuching/Sarawak](#)

Design Sketch



Media



More products of this group: Sludge Dewatering

- [HUBER Screw Press Q-PRESS®](#)
- [HUBER Bogenpress B-PRESS](#)
- [Centrifuges](#)

Adresse / address: HUBER SE · Industriepark Erasbach A1 · 92334 Berching · Germany · Telefon / phone: + 49 - 84 62 - 201 - 0 · Fax / fax: + 49 - 84 62 - 201 - 810
e-mail: info@huber.de · Internet: <http://www.huber.de>

Sitz der Gesellschaft / Headquarters: Berching · AG Nürnberg / Register of companies: HRB 25558

Vorstand / Board: Georg Huber (Vorsitzender / CEO), Dr.-Ing. Oliver Rong (stellvertretender Vorsitzender / Vice CEO), Dr.-Ing. Johann Grienberger, Rainer Köhler
Aufsichtsratsvorsitzender / Chairman of the Supervisory Board: Alois Ponnath

USt (VAT)-IdNr.: DE 812353219

Bank: HypoVereinsbank Nürnberg (BLZ 760 200 70) 5 008 409 · SWIFT-BIC: HYVEDEMM460 · IBAN: DE 30 7602 0070 0005 0084 09

