

➤ Window with thermo glass and reversible hinged frame F4



The figure shown here may contain special accessories

Casement window, tilt and turn window, ready for installation, made from two-sheet special 1.4301 (AISI 304) stainless steel profile with intermediate special plastic core to prevent thermal conduction, thermally insulated according to EN 10077, $U_f = 2.70 \text{ W}/(\text{m}^2 \cdot \text{K})$, fittings specially E-Look galvanised, stainless steel handle set.

Blind frame, circumferential, made from special profile, designed for dowelling into window soffit, including fixing material.

Sash frame, made from Z-profile, integrated fittings. Multiple locking via handle set. Two rebate gaskets. Glazing bead invisibly fastened.

Machine ground surface finish.

Dry glazing with insulation glass, without KTW approval.

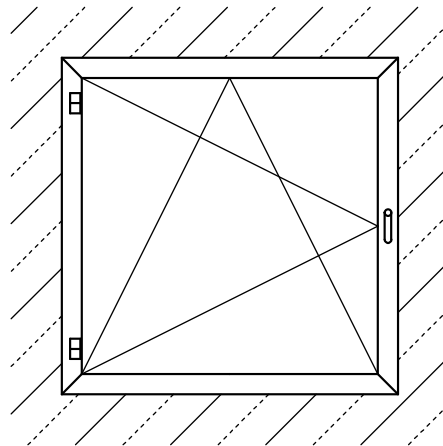
Door opening options:

- Hinges on left
- Hinges on right

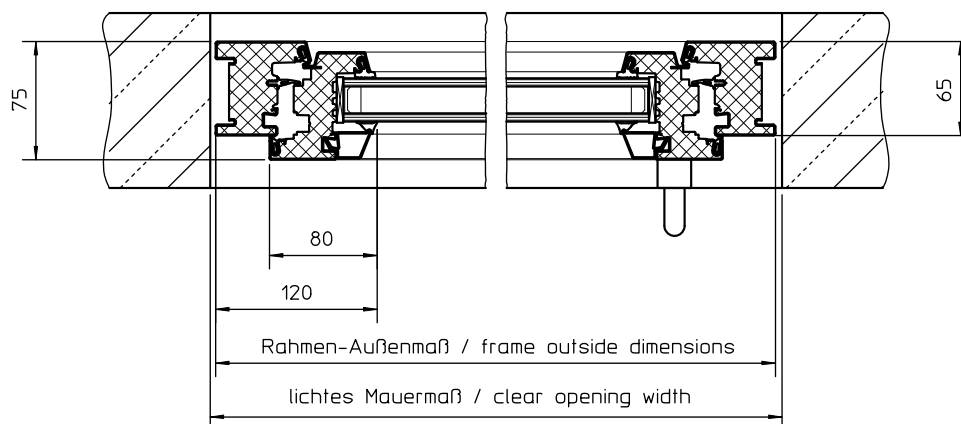
Options:

- 1.4404 (AISI 316 L) stainless steel
- Secure to prevent forced access according to DIN EN 1627, RC3, galvanized fittings, only possible with wet glazing
- Special glazing (e.g. security glass)
- Multi-wing window
- Outside window sill made from stainless steel
- Water chamber window (with drain holes towards the dry side, with wet glazing, KTW approved)
- Lockable handle set provided for profile cylinder
- Other designs available on request

Ansicht / view



Schnitt / section



Frame window	Clear wall opening width (B) / height (H)	Maximum wing weight	Aspect ratio (B) / (H)
Type F4	one-wing: B = 415 - 1124 mm / H = 625 - 744 mm	130 kg	max. 1:0.75
	one-wing: B = 415 - 1324 mm / H = 745 - 924 mm		
	one-wing: B = 415 - 1524 mm / H = 925 - 2250 mm		

Available dimensions

HUBER SE

Industriepark Erasbach A1 · D-92334 Berching
 Phone: + 49 - 84 62 - 201 - 0 · Fax: + 49 - 84 62 - 201 - 810
 info@huber.de · Internet: www.huber.de

Subject to technical modification
 Drawing No. 190.479, 5.2022

Window with thermo glass and reversible hinged frame F4