

➤➤ Window with thermo glass and hinged frame F2



The figure shown here may contain special accessories

Options:

- 1.4404 (AISI 316 L) stainless steel
- Secure to prevent forced access according to DIN EN 1627
- Special glazing (e.g. security glass)
- Multi-wing window
- Outside window sill made from stainless steel
- Water chamber window (with drain holes towards the dry side, with wet glazing, KTW approved)
- Other designs available on request

Frame window, ready for installation, tilt window, made from two-sheet special 1.4301 (AISI 304) stainless steel profile with intermediate special plastic core to prevent thermal conduction, thermally insulated according to EN 10077, $U_f = 2.70 \text{ W}/(\text{m}^2\cdot\text{K})$, fittings galvanised, tilt fittings with catch or handle.

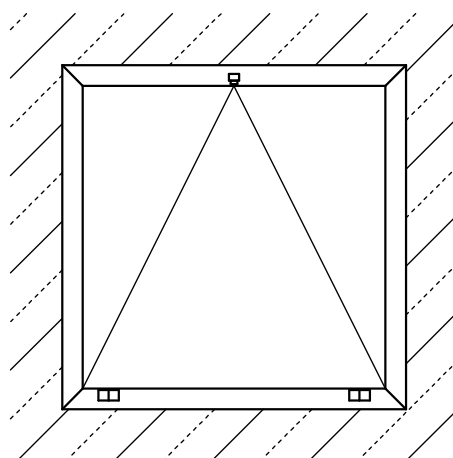
Blind frame, circumferential, made from special profile, designed for dowelling into window soffit, including fixing material.

Sash frame, made from Z-profile, integrated fittings. Two rebat gaskets. Glazing bead invisibly fastened.

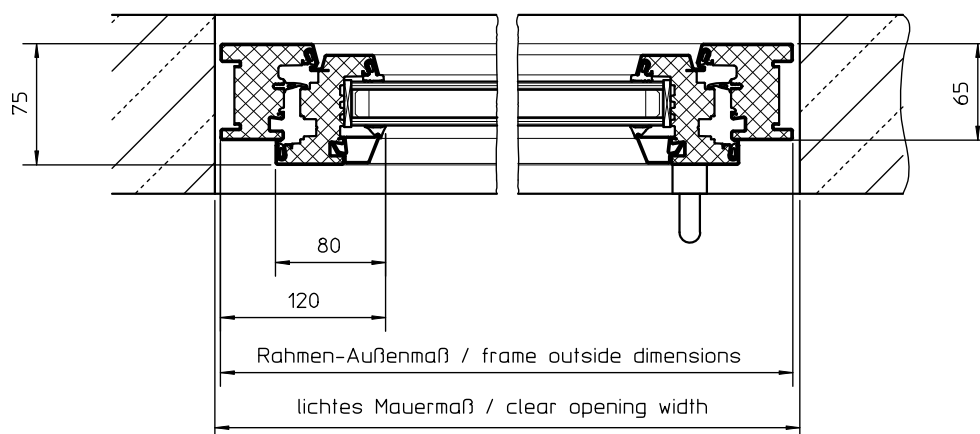
Machine ground **surface finish**.

Dry glazing with insulation glass, without KTW approval

Ansicht / view



Schnitt / section



Frame window	Clear wall opening width (B) / height (H)	Maximum wing weight	Aspect ratio (B) / (H)
Type F2	one-wing: B = 415 - 1124 mm / H = 500 - 744 mm	130 kg	max. 1:0.75
	one-wing: B = 415 - 1324 mm / H = 745 - 924 mm		
	one-wing: B = 415 - 1524 mm / H = 925 - 1500 mm		

Available dimensions

HUBER SE

Industriepark Erasbach A1 · D-92334 Berching
Phone: + 49 - 84 62 - 201 - 0 · Fax: + 49 - 84 62 - 201 - 810
info@huber.de · Internet: www.huber.de

Subject to technical modification
Drawing No. 190.477, 5.2022

Window with thermo glass and hinged frame F2