

➤ Guard grate ASG, load bearing up to 150 kg/m²



Options:

- 1.4404 (AISI 316 L) stainless steel
- Lockable version
- Removable grate for round manholes
- Non-standard sizes

The figure shown here may contain special accessories

Guard grate in accordance with DGUV regulation 103-007, rectangular, made from 1.4307 (AISI 304 L) stainless steel, universally applicable and retrofittable under manhole covers.

Grate made of perforated plate with 5 mm perforations in staggered rows, load bearing capacity 150 kg/m², hinged and lockable, provided for locking with a customer provided padlock.

Support, made of angle profile, for internal bolted fixing under the manhole cover.

Guard grate for mounting under the manhole cover and above the climbing system.

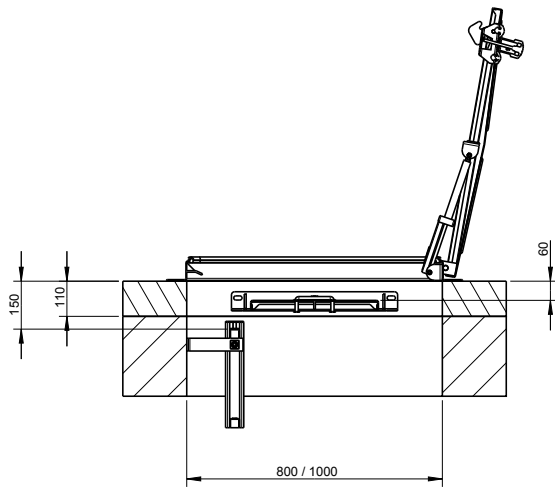
Both grate and support are shielded arc-welded and acid bath cleaned before washing, drying and surface passivation.

Fixing material included.

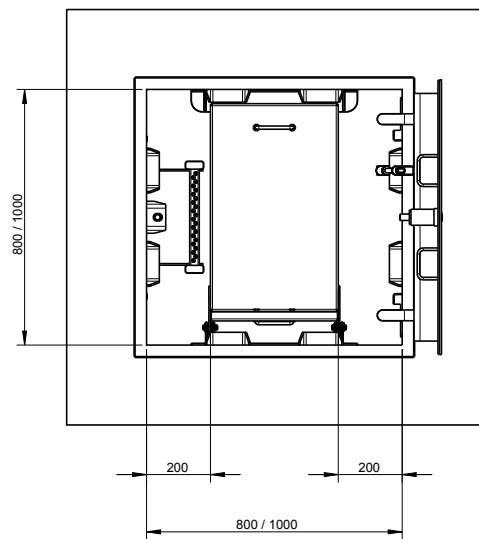
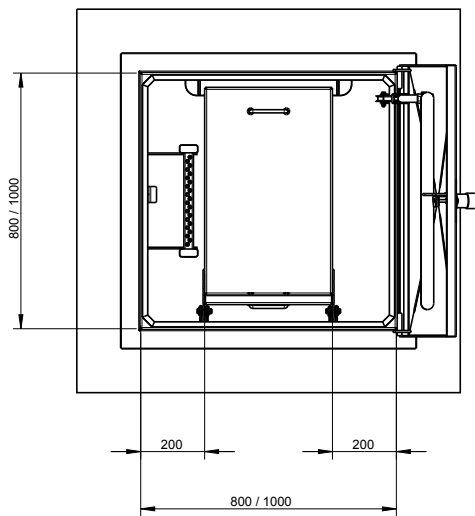
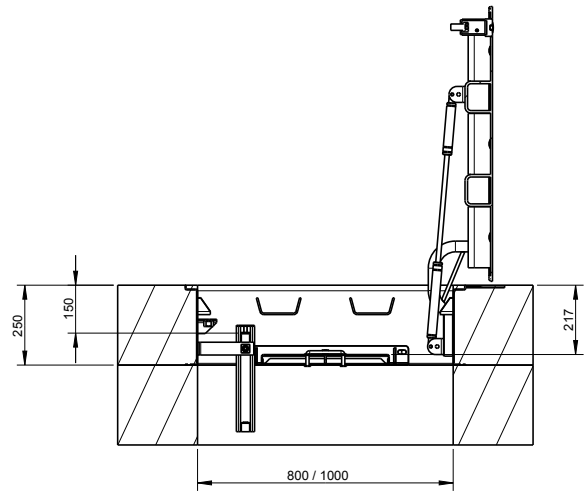
| Model | Clear manhole opening a x b | Order no. |
|----------------|-----------------------------|--------------------|
| Standard model | 800 x 800 | ASG 800x800 W400 |
| Standard model | 1000 x 1000 | ASG 1000x1000 W600 |

Ask for further dimensions. All measurements in mm.

In stock SD1



In stock SD7



HUBER SE

Industriepark Erasbach A1 · D-92334 Berching
 Phone: + 49 - 84 62 - 201 - 0 · Fax: + 49 - 84 62 - 201 - 810
 info@huber.de · Internet: www.huber.de

Subject to technical modification
 Drawing no. 50973614, 5.2022

Guard grate ASG for manhole covers