

►► Rectangular Pressure-Tight Door TT7

Completely made from stainless steel

Applicable as access for containers, especially in the field of water supply.

Pressure-tight door, pressure-tight up to a water gauge of 10 m, opening to the pressure side, ready for installation, to be lined on both sides (wall thickness \geq 280 mm), rectangular, completely made from 1.4571/1.4404 stainless steel, statically certified.

Door, 5 mm thick, reinforced with U-shaped bent plate. Smooth door leaf on the pressure side. With circumferential square rubber seal, suitable for potable water, ozone resistant, KTW certified. Locking lever operable from both sides. With stable maintenance-free hinge plates between the door and frame.

Frame, circumferential with one centre and two side gaskets. Frame with lifting eyes.

Frame and door shielded arc-welded and acid bath cleaned before washing, drying and surface passivation.

Ordering options:

Door opening options:

- Hinges on left
- Hinges on right

Special accessories available on request:

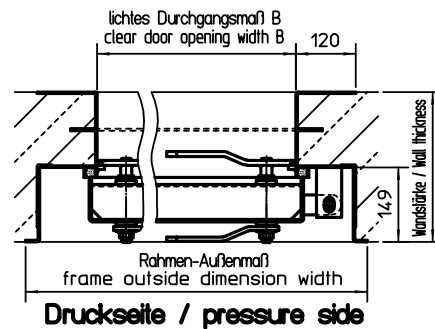
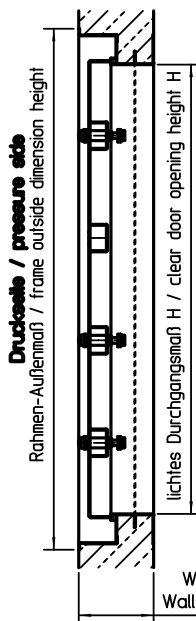
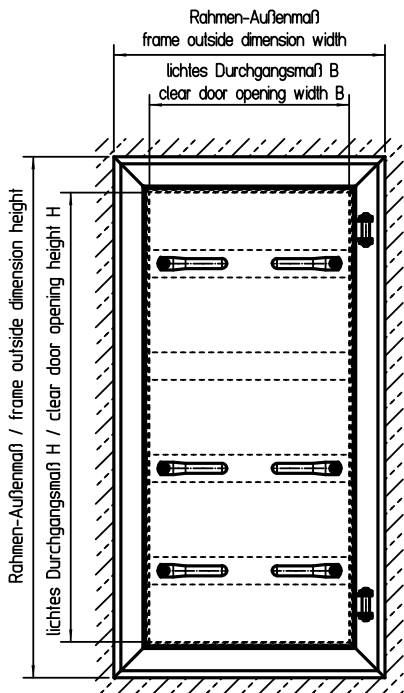
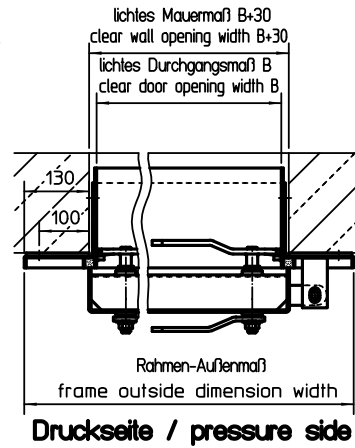
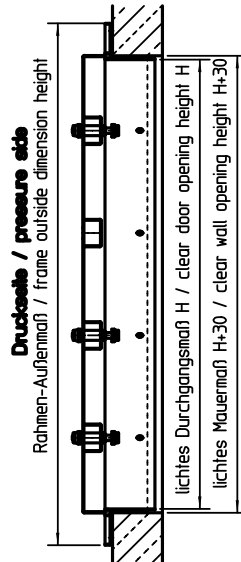
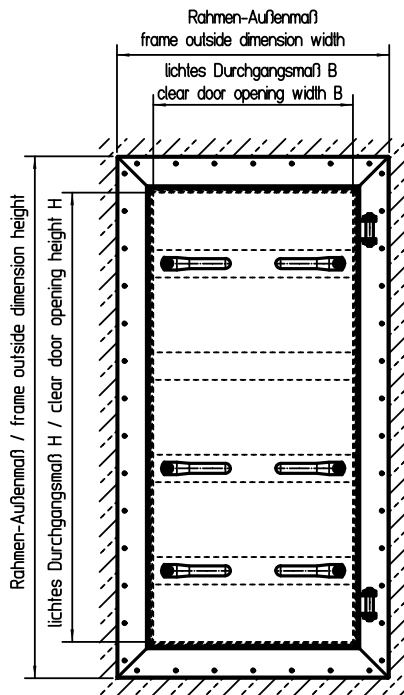
- Pressure door for round tanks
- Centrally installed inspection window, inside diameter: 150 mm
- Installed spotlight, free glass surface: 148 x 229 mm, 500 W
- Covered bracings on the pressureless door side (i.e. smooth ground surface)
- Cylinder lock
- Locking by means of screw caps
- Pressure door with three-sided open-top frame for parapets
- Max. water gauge = door height
- Sanded all sides for improved tightness in the concreted door area
- Condensate drain on external door surface
- Sample taking cock on external door surface
- Completely made from 1.4301/1.4307 stainless steel (wet and dry side)
- Frame for retrofitting. Prerequisite is a plane inner wall surface, tolerance: \pm 1 mm per metre
- Blind frame for the retrofit frame. (Please indicate the wall thickness.)

Special version:

- Two-part door, lower part as pressure door, higher part as door which can be opened for control purposes.

Nominal Size Order no.	Clear door opening width B / height H	Frame outside dimension width / height	For wall thickness A
0800/1200	800 / 1200	1086 / 1486	
0800/1600	800 / 1600	1086 / 1886	
0800/1800	800 / 1800	1086 / 2086	
1000/2000	1000 / 2000	1290 / 2290	

Ask for further dimensions. All measurements in mm.



HUBER SE

Industriepark Erasbach A1 · D-92334 Berching
 Phone: +49-84 62-201-0 · Fax: +49-84 62-201-810
 info@huber.de · Internet: www.huber.de

Subject to technical modification
 Drawing No. 190.168, 10.2014

Rectangular Pressure-Tight Door TT7