

## ➤➤ Window with thermo glass and reversible hinged frame F4

**Universally applicable as light openings in buildings, and in the whole field of disposal and supply.**

**Casement window**, tilt and turn window, ready for installation, made from two-sheet special 1.4401 (V4A) stainless steel profile with intermediate special plastic core to prevent thermal conduction.

**Blind frame**, circumferential, made from special profile, designed for dowelling into window soffit, including fixing material.

**Sash frame**, made from Z-profile, integrated fittings. Multiple locking via handle set. Rebate and centre gaskets. Flush-fitting glazing bead, invisibly fastened.

Machine ground **surface finish**.

**Dry glazing** with insulation glass.

### **Ordering options:**

#### **Door opening options:**

- Hinges on left
- Hinges on right

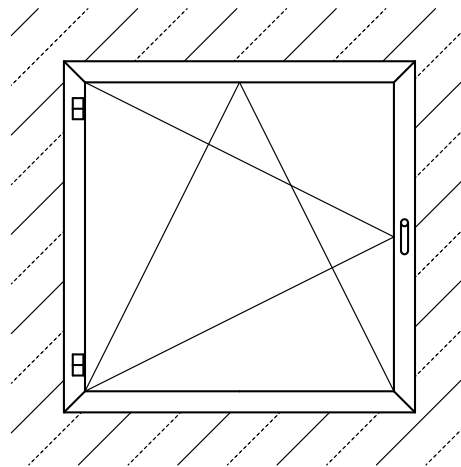
### **Special accessories available on request:**

- Lacquered surface finish
- Special glazing (e.g. security glass)
- Multi-wing window
- Outside window sill made from stainless steel
- Water chamber window (with drain holes towards the dry side)

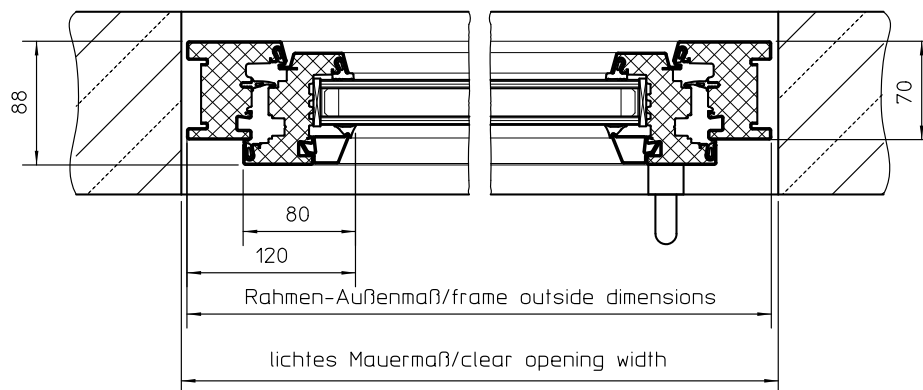
### **Note:**

On multi-wing windows the T-profile middle spars are welded in.

Ansicht / view



Schnitt / section



Window	Clear wall opening width (B) / height (H)	Max. wing weight	Aspect ratio (W:H)
Type F4	einteilig: B = 415 - 1124 mm / H = 400 - 744 mm	130 kg	max. 1:0,75
	einteilig: B = 415 - 1324 mm / H = 745 - 924 mm		
	einteilig: B = 415 - 1524 mm / H = 925 - 2524 mm		

Available dimensions

**HUBER SE**

Industriepark Erasbach A1 · D-92334 Berching  
Phone: +49-84 62-201-0 · Fax: +49-84 62-201-810  
info@huber.de · Internet: www.huber.de

Subject to technical modification  
Drawing No. 190.479, 10.2014

Window with thermo glass and reversible hinged frame F4