

➤➤ Rigid window F1, designed to prevent thermal conduction

Universally applicable as light openings in buildings, and in the whole field of disposal and supply.

Frame window, rigid, ready for installation, made from two-sheet special 1.4401 (V4A) stainless steel profile with intermediate special plastic core to prevent thermal conduction. Flush-fitting glazing bead, invisibly fastened.

Frame, designed for dowelling into window soffit, including fixing material.

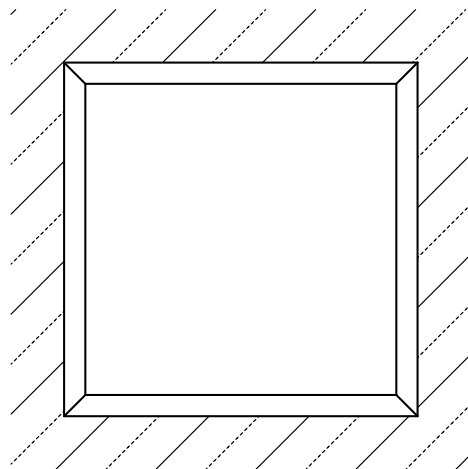
Machine ground **surface finish**.

Dry glazing with insulation glass.

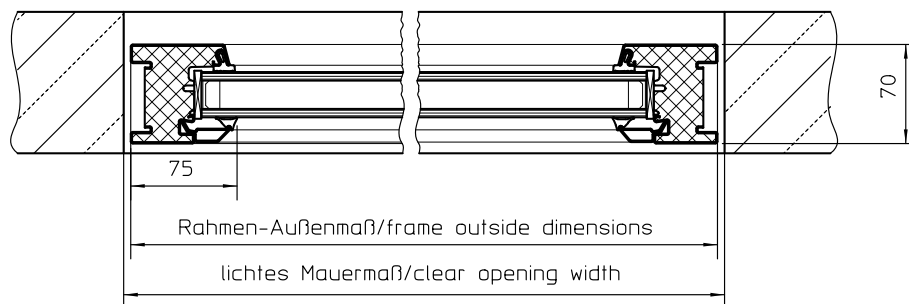
Special accessories available on request:

- Lacquered surface finish
- Special glazing (e.g. security glass)
- Multi-wing window
- Outside window sill made from stainless steel
- Water chamber window (with drain holes towards the dry side)

Ansicht / view



Schnitt / section



Window	Clear wall opening width (B) / height (H)	Max. wing weight	Aspect ratio (W:H)
Type F1	einteilig: B = 415 - 1124 mm / H = 400 - 744 mm	130 kg	max. 1:0,75
	einteilig: B = 415 - 1324 mm / H = 745 - 924 mm		
	einteilig: B = 415 - 1524 mm / H = 925 - 2524 mm		

Available dimensions

HUBER SE

Industriepark Erasbach A1 · D-92334 Berching
 Phone: +49-8462-201-0 · Fax: +49-8462-201-810
 info@huber.de · Internet: www.huber.de

Subject to technical modification
 Drawing No. 190.476, 10.2014

Rigid window F1, designed to prevent thermal conduction