

## ►► Floating safety access ladder SiS 7

### Completely made from stainless steel

Floating safety access ladder, RWTÜV design certification, CE-Marking, in accordance with DIN EN 14396, made of 1.4301/1.4307 (AISI 304 L) stainless steel.

Handles made of special profile of high rigidity (57 x 25 x 2.5 mm), covered with PVC caps.

Rungs made of U-profile with perforated surface, 30 mm, slip resistance R11 in compliance with DIN 51130, step height 280 mm, clear ladder width 300 mm (or 400 mm, 500 mm), with upper pivot bearing and stainless steel float. Tank depth T \_\_\_\_\_ m

Completely shielded arc welded, acid-treated in a pickling bath and passivated.

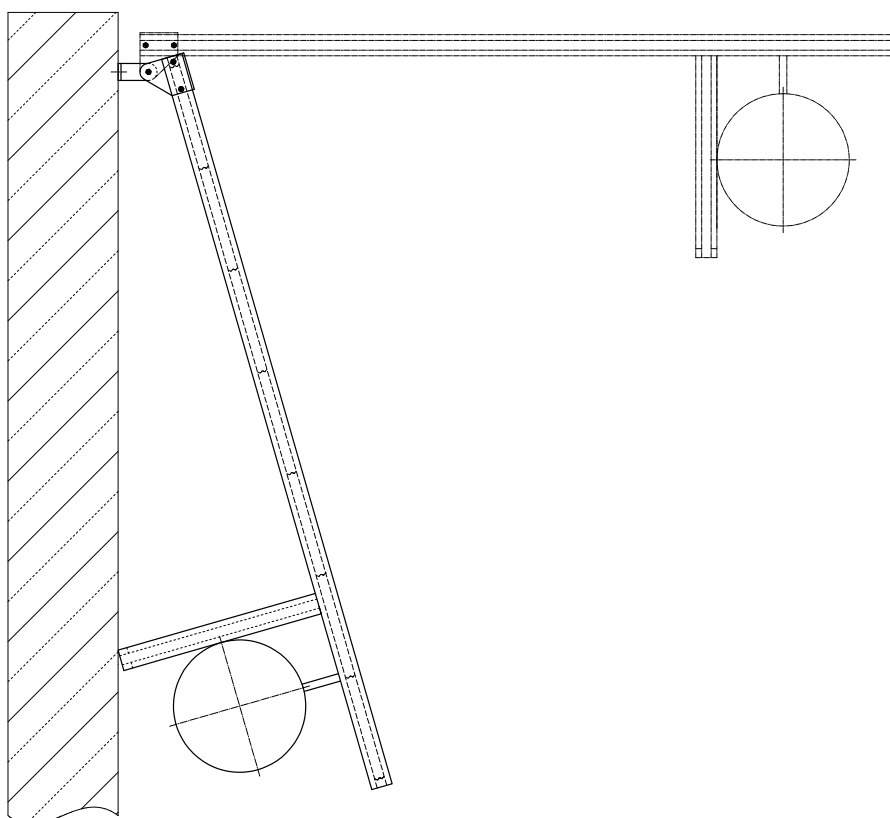
**Entrance aid** in accordance with DIN EN 14396, §4.3.2 (building sets, dimensions): Access ladders must have a handhold at their exit. This requirement is deemed to be fulfilled if one or both handles of a ladder extend at least 1 m beyond the exit height.

### The following entrance aid options are available:

- A) Entrance handles, form B (2 nos. required), as per data sheet SiS 5
- B) Fold-back, extensible entrance aid
- C) Insertable entrance aid
- D) Fold-back entrance aid
- E) Collapsible hand post (stationary or removable), type SiS 5

### Options:

- Stainless steel fixing material: stud anchors HST-R M10
- 1.4571/1.4404 (AISI 316 L) stainless steel
- Special version:
- Upper fixed and lower floatable part (for closed tanks)



Manhole depth T: up (m)	to (m)	Length of ladder L (m)	Number of rungs	Order no. width of ladder 300mm	Order no. width of ladder 400mm	Order no. width of ladder 500mm
0,61	0,88	0,61	3	SLD3 610	SLD4 610	SLD5 610
0,89	1,16	0,89	4	SLD3 890	SLD4 890	SLD5 890
1,17	1,44	1,17	5	SLD3 1170	SLD4 1170	SLD5 1170
1,45	1,72	1,45	6	SLD3 1450	SLD4 1450	SLD5 1450
1,73	2,00	1,73	7	SLD3 1730	SLD4 1730	SLD5 1730
2,01	2,28	2,01	8	SLD3 2010	SLD4 2010	SLD5 2010
2,29	2,56	2,29	9	SLD3 2290	SLD4 2290	SLD5 2290
2,57	2,84	2,57	10	SLD3 2570	SLD4 2570	SLD5 2570
2,85	3,12	2,85	11	SLD3 2850	SLD4 2850	SLD5 2850
3,13	3,40	3,13	12	SLD3 3130	SLD4 3130	SLD5 3130
3,41	3,68	3,41	13	SLD3 3410	SLD4 3410	SLD5 3410
3,69	3,96	3,69	14	SLD3 3690	SLD4 3690	SLD5 3690
3,97	4,24	3,97	15	SLD3 3970	SLD4 3970	SLD5 3970
4,25	4,52	4,25	16	SLD3 4250	SLD4 4250	SLD5 4250
4,53	4,80	4,53	17	SLD3 4530	SLD4 4530	SLD5 4530
4,81	5,08	4,81	18	SLD3 4810	SLD4 4810	SLD5 4810

Further lengths and versions available on request.

## HUBER SE

Industriepark Erasbach A1 · D-92334 Berching  
Phone: + 49 - 84 62 - 201 - 0 · Fax: + 49 - 84 62 - 201 - 810  
info@huber.de · Internet: www.huber.de

Subject to technical modification  
Drawing No. 190.149, 10.2015

Floating safety access ladder SiS 7