

---

## ➤➤ HUBER emergency escape cover

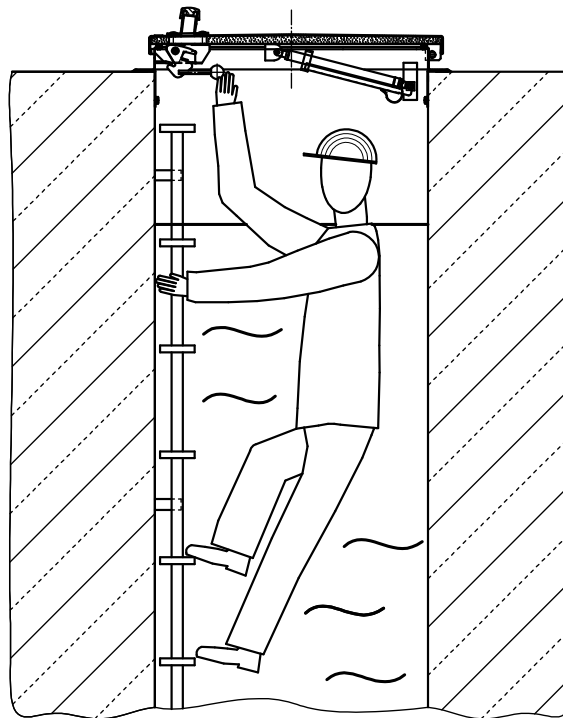
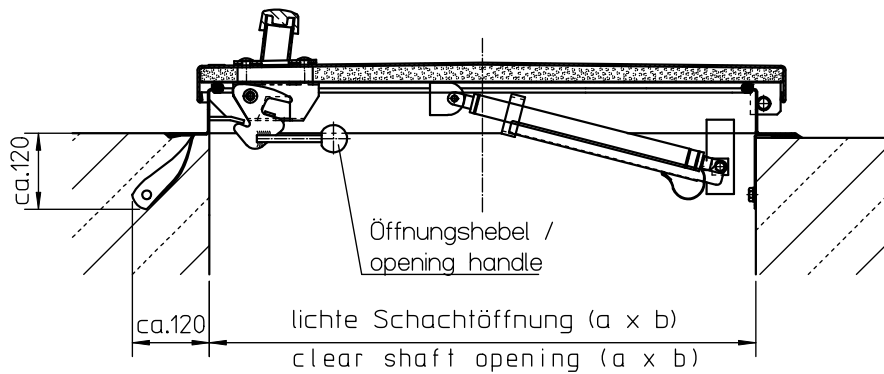
### **Manhole cover which can be opened from inside, self-lifting**

HUBER emergency exit, additional component available for all SD1/2/3/4 type manhole covers.

The HUBER emergency escape function enables opening of the manhole cover both from inside and outside. When operating the opening handle the cover opens automatically without the need for any further manual activation.

Variante / version I:  
Rahmen wird einbetoniert  
frame for embedding in concrete

Variante / version II:  
Rahmen wird angedübelt  
frame for bolted fixing



## HUBER SE

Industriepark Erasbach A1 · D-92334 Berching  
Phone: + 49 - 84 62 - 201 - 0 · Fax: + 49 - 84 62 - 201 - 810  
info@huber.de · Internet: www.huber.de

Subject to technical modification  
Drawing No. 190.464, 10.2015

HUBER-Notausstieg