

## ►► Weatherproof manhole cover SD3, security tested, attack-proof

### Square type, completely stainless steel, available from stock

**Manhole cover**, weatherproof and secure to prevent forced access, certified by the university of Karlsruhe to security class 3, square in shape, load-bearing up to 5 t, with additional concealed frame, completely made of 1.4301/1.4307 (AISI 304 L) stainless steel, in accordance with DIN 1239.

**The cover** consisting of a stainless steel plate, with a centrally raised profile, 4 mm thick, with stainless steel gas assisted spring dampers, integrated arrestor which can only be undone by hand, self-retracting lock, standard safety lock which can only be opened with a cylinder key.

**The coverframe** consists of a Z-section, on which the cover is fitted on robust, inner hinges, with a circumferential, insect-proof and totally weather-proof rubber seal.

Concealed frame consisting of an angle shape, concealed with robust wall clamps, designed for embedding in concrete; cover frame and concealed frame are bolted together on the inner flanges in order to prevent unauthorized removal of the cover. Between the concealed frame and cover frame there is a weatherproof rubber seal.

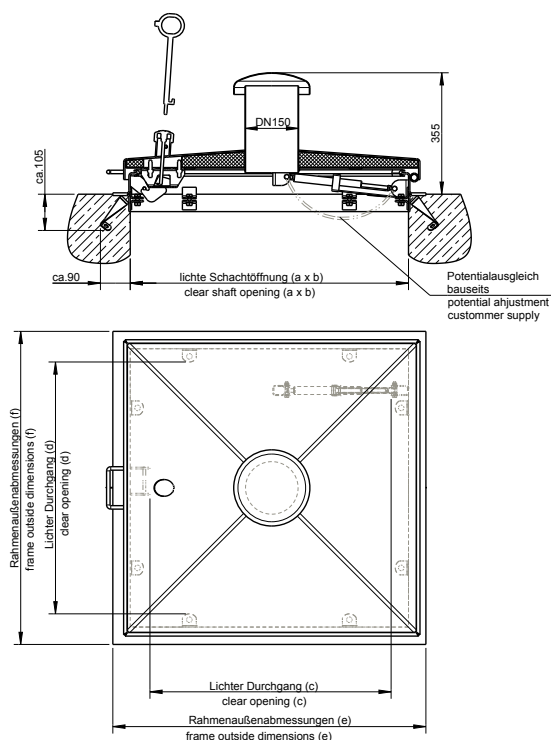
Manhole cover and frame shielded arc-welded, acid-treated in a pickling bath and passivated.

Operating key included.

#### Options:

- air vent DN 150
- insulation of the cover, without FCKW
- air vent DN 150 and insulation of the cover, without FCKW
- replacabable pollen filter
- energy-independent solar ventilation
- safety guard / antifall guard
- Emergency escape cover (to be opened manually)
- Tubular biofilter within the ventilating chimney for odour elimination
- 1.4571/1.4404 (AISI 316 L) stainless steel
- Sealing in the cover





Model	Size a x b	Order no.	Inside pass c x d	Frame outside dimensions e x f	Weight approx. kg
A Standard model	600 x 600	166/GS (1)	495 x 520	700 x 700	38
A Standard model	800 x 800	188/GS	695 x 720	900 x 900	55
A Standard model	1000 x 1000	111/GS	895 x 920	1100 x 1100	72
B with air vent DN 150	600 x 600	166/GDS (1)	495 x 520	700 x 700	40
B with air vent DN 150	800 x 800	188/GDS	695 x 720	900 x 900	57
B with air vent DN 150	1000 x 1000	111/GDS	895 x 920	1100 x 1100	75
C with insulation of cover, without FCKW	600 x 600	166/IS (1)	495 x 520	700 x 700	45
C with insulation of cover, without FCKW	800 x 800	188/IS	695 x 720	900 x 900	64
C with insulation of cover, without FCKW	1000 x 1000	111/IS	895 x 920	1100 x 1100	86
D with air vent DN 150 and insulation of cover, without FCKW	600 x 600	166/IDS (1)	495 x 520	700 x 700	48
D with air vent DN 150 and insulation of cover, without FCKW	800 x 800	188/IDS	695 x 720	900 x 900	67
D with air vent DN 150 and insulation of cover, without FCKW	1000 x 1000	111/IDS	895 x 920	1100 x 1100	89

Ask for further dimensions. All measurements in mm.

(1) Note: According to German standards GUV-V C5 "Abwassertechnische Anlagen" and DVGW Arbeitsblatt W122 "Abschlußbauwerke für Brunnen der Wassergewinnung", the minimum clear width of entrance openings must be 0.8 m.

## HUBER SE

Industriepark Erasbach A1 · D-92334 Berching  
Phone: + 49 - 84 62 - 201 - 0 · Fax: + 49 - 84 62 - 201 - 810  
info@huber.de · Internet: www.huber.de

Subject to technical modification  
Drawing No. 50739666, 10.2015

Weatherproof manhole cover SD3,  
security tested, attack-proof