

►► Weatherproof manhole cover SD2

Round type, completely stainless steel, available from stock

Manhole cover, weatherproof, round in shape, completely made of 1.4301/1.4307 (AISI 304 L) stainless steel, in accordance with DIN 1239 standards.

The cover is made of 2 mm stainless steel plate, with a centrally raised profile, inner cross bracing for rigidity, self-retracting lock, stainless steel gas assisted spring damper, integrated arrestor which can only be undone by hand; robust, concealed hinges.

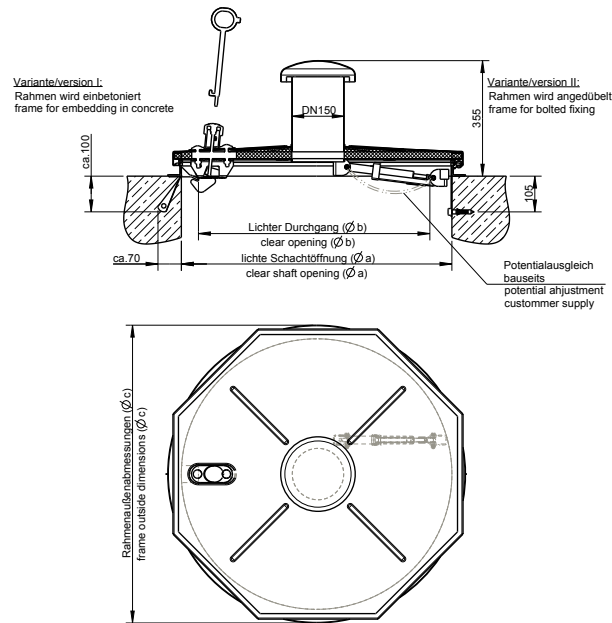
The frame consists of an angle section with a circumferential insect-proof rubber seal (frost-proof and weather-resistant), with clips welded to the bottom side, **designed for embedding in concrete, or for dowelling.**

Manhole cover and frame shielded arc-welded, acid-treated in a pickling bath and passivated.

Operating key included.

Options:

- air vent DN 150
- insulation of the cover, without FCKW
- air vent DN 150 and insulation of the cover, without FCKW
- replacabable pollen filter
- fixing material and foam rubber gasket 30/5
- energy-independent solar ventilation
- safety lock for increased security
- safety guard / antifall guard
- Emergency escape cover (to be opened manually)
- Tubular biofilter within the ventilating chimney for odour elimination
- 1.4571/1.4404 (AISI 316 L) stainless steel
- Separable cover and frame
- Sealing in the cover



Model	Size $\varnothing a$	Order no.	Inside pass $\varnothing b$	Frame outside dimensions $\varnothing c$	Weight approx. kg
A Standard model	600	106/GR (1)	495	680	17,5
A Standard model	800	108/GR	695	880	28
A Standard model	1000	101/GR	895	1080	39
B with air vent DN 150	600	106/GDR (1)	495	680	20
B with air vent DN 150	800	108/GDR	695	880	32
B with air vent DN 150	1000	101/GDR	895	1080	41
C with insulation of cover, without FCKW	600	106/IR (1)	495	680	19
C with insulation of cover, without FCKW	800	108/IR	695	880	37
C with insulation of cover, without FCKW	1000	101/IR	895	1080	42
D with air vent DN 150 and insulation of cover, without FCKW	600	106/IDR (1)	495	680	21,5
D with air vent DN 150 and insulation of cover, without FCKW	800	108/IDR	695	880	40
D with air vent DN 150 and insulation of cover, without FCKW	1000	101/IDR	895	1080	45,5

Ask for further dimensions. All measurements in mm.

(1) Note: According to German standards *GUV-V C5 "Abwassertechnische Anlagen"* and *DVGW Arbeitsblatt W122 "Abschlußbauwerke für Brunnen der Wassergewinnung"*, the minimum clear width of entrance openings must be 0.8 m.m.

HUBER SE

Industriepark Erasbach A1 · D-92334 Berching
Phone: + 49 - 84 62 - 201 - 0 · Fax: + 49 - 84 62 - 201 - 810
info@huber.de · Internet: www.huber.de

Subject to technical modification
Drawing No. 50739517, 10.2015

Weatherproof manhole cover SD2