

►► Weatherproof manhole cover SD1

Square type, completely stainless steel, available from stock

Manhole cover, weatherproof, square in shape, completely made of 1.4301/1.4307 (AISI 304 L) stainless steel, in accordance with DIN 1239 standards.

The cover is made of 2 mm stainless steel plate, with a centrally raised profile, inner cross bracing for rigidity, self-retracting lock, stainless steel gas assisted spring damper, integrated arrestor which can only be undone by hand; robust, concealed hinges.

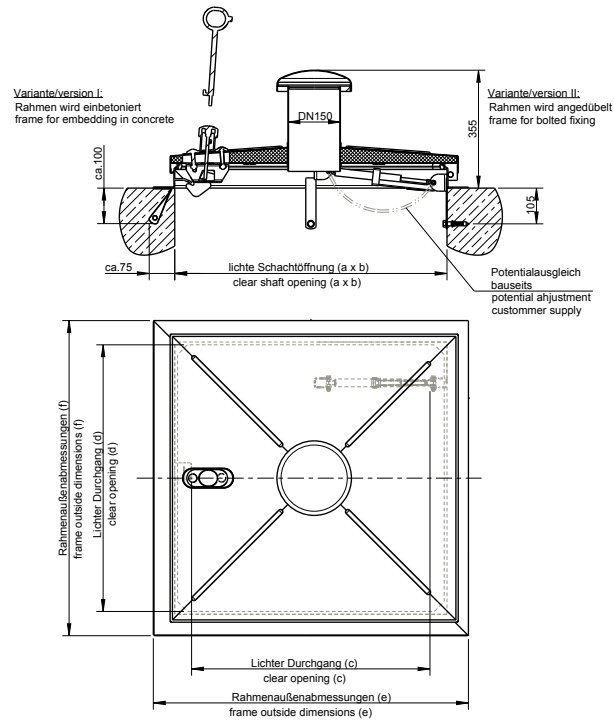
The frame consists of a Z-section with a circumferential insect-proof rubber seal (frost-proof and weather-resistant), with clips welded to the bottom side, **designed for embedding in concrete, or for dowelling.**

Manhole cover and frame shielded arc-welded, acid-treated in a pickling bath and passivated.

Operating key included.

Options:

- air vent DN 150
- insulation of the cover, without FCKW
- air vent DN 150 and insulation of the cover, without FCKW
- replacabable pollen filter
- fixing material and foam rubber gasket 30/5
- energy-independent solar ventilation
- safety lock for increased security
- safety guard / antiffall guard
- Emergency escape cover (to be opened manually)
- Tubular biofilter within the ventilating chimney for odour elimination
- 1.4571/1.4404 (AISI 316 L) stainless steel
- Separable cover and frame
- Sealing in the cover



| Model | Size a x b | Order no. | Inside pass c x d | Frame outside dimensions e x f | Weight approx. Kg |
|---|---------------|------------|----------------------|-----------------------------------|----------------------|
| A Standard model | 600 x 600 | 166/G (1) | 495 x 565 | 720 x 720 | 19,5 |
| A Standard model | 800 x 800 | 188/G | 695 x 765 | 920 x 920 | 28 |
| A Standard model | 1000 x 1000 | 111/G | 895 x 965 | 1120 x 1120 | 39 |
| B with air vent DN 150 | 600 x 600 | 166/GD (1) | 495 x 565 | 720 x 720 | 23 |
| B with air vent DN 150 | 800 x 800 | 188/GD | 695 x 765 | 920 x 920 | 32 |
| B with air vent DN 150 | 1000 x 1000 | 111/GD | 895 x 965 | 1120 x 1120 | 41 |
| C with insulation of cover, without FCKW | 600 x 600 | 166/I (1) | 495 x 565 | 720 x 720 | 22 |
| C with insulation of cover, without FCKW | 800 x 800 | 188/I | 695 x 765 | 920 x 920 | 37 |
| C with insulation of cover, without FCKW | 1000 x 1000 | 111/I | 895 x 965 | 1120 x 1120 | 42 |
| D with air vent DN 150 and insulation of cover, without FCKW | 600 x 600 | 166/ID (1) | 495 x 565 | 720 x 720 | 25 |
| D with air vent DN 150 and insulation of cover, without FCKW | 800 x 800 | 188/ID | 695 x 765 | 920 x 920 | 40 |
| D with air vent DN 150 and insulation of cover, without FCKW | 1000 x 1000 | 111/ID | 895 x 965 | 1120 x 1120 | 45,5 |

Ask for further dimensions. All measurements in mm.

(1) Note: According to German standards GUV-V C5 "Abwassertechnische Anlagen" and DVGW Arbeitsblatt W122 "Abschlußbauwerke für Brunnen der Wassergewinnung", the minimum clear width of entrance openings must be 0.8 m.

HUBER SE

Industriepark Erasbach A1 · D-92334 Berching
Phone: + 49 - 84 62 - 201 - 0 · Fax: + 49 - 84 62 - 201 - 810
info@huber.de · Internet: www.huber.de

Subject to technical modification
Drawing No. 50739444, 10.2015

Weatherproof manhole cover SD1