

## ➤ Round Inspection Cover TT8b

**Sight glass in the bottom of water tanks, pressure-tight up to a water gauge of 10 m.**



The figure shown here may contain special accessories

**Inspection cover**, pressure-tight up to a water gauge of 10 m, round, completely made from 1.4404 (AISI 316 L) stainless steel, can be lined on both sides.

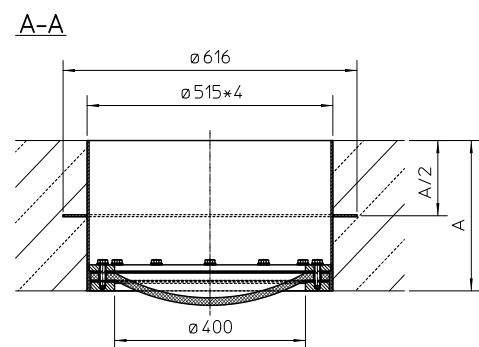
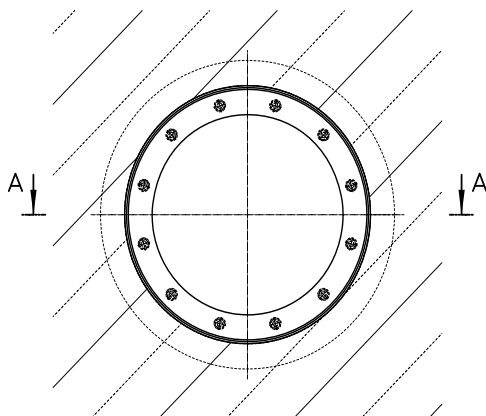
**Sight glass** with 15 mm thick safety glass, convex towards the pressure side. Sealing with two rubber seals. Clear sight diameter: 400 mm.

**Access duct cover** with centrally welded wall flange, provided for embedding in concrete. Wall flange dimensions: 616 mm.

Access duct cover shielded arc-welded, acid-treated in a pickling bath and passivated.

**Options:**

- 1.4307 (AISI 304 L) stainless steel
- Sanding of wall pipe parts in contact with concrete



Druckseite / pressure side

Nominal size Order no.	Clear opening Ø	Wall flange diameter Ø	For wall thickness A
0400 SL	400	616	

All measurements in mm. **Ask for further dimensions.**

## HUBER SE

Industriepark Erasbach A1 · D-92334 Berching  
Phone: + 49 - 84 62 - 201 - 0 · Fax: + 49 - 84 62 - 201 - 810  
info@huber.de · Internet: www.huber.de

Subject to technical modification  
Drawing No. 190/171/2, 5.2022

Round Inspection Cover TT8b