

## ➤➤ Entrance handle SiS 5 HB

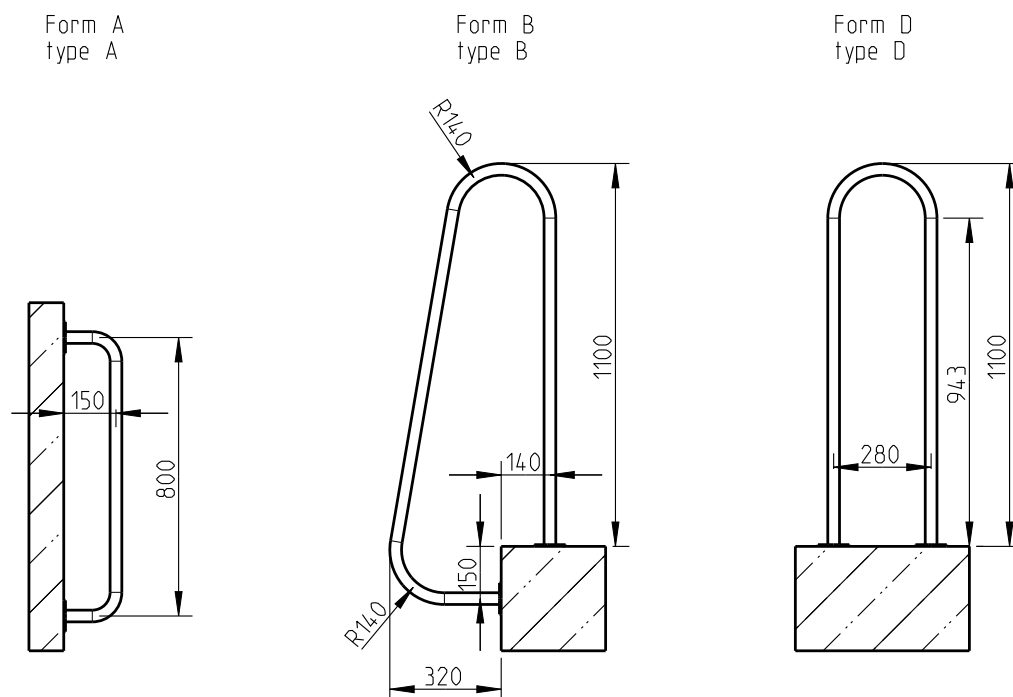
**Entrance handle**, completely made of 1.4307 (AISI 304 L) stainless steel.

Consisting of bent pipe 33.7 x 2.0 mm with fixing plates for wall fixing.

Entrance handle, completely shielded arc welded, acid-treated in a pickling bath and passivated.

**Options:**

- 1.4404 (AISI 316 L) stainless steel
- Stainless steel fixing material: stud anchors



-	-
Order-No. A	HEB A
Order-No. B	HEB B
Order-No. D	HEB D

## HUBER SE

Industriepark Erasbach A1 · D-92334 Berching  
Phone: + 49 - 84 62 - 201 - 0 · Fax: + 49 - 84 62 - 201 - 810  
info@huber.de · Internet: www.huber.de

Subject to technical modification  
Drawing no. 190.150, 5.2022

Entrance handle SiS 5 HB