

➤ Manhole cover SD3-RC3, attack-proof / security tested, weather-proof, rectangular type



*The figure shown here may contain special accessories*

**Manhole cover**, secure to prevent forced access, weatherproof, rectangular in shape, made of 1.4307 (AISI 304 L) stainless steel, load-bearing up to 5 t.

In accordance with DIN 1239:2018-4, security tested to resistance class RC3 (DIN EN 1627). According to requirements of DVGW W 1050 - Object protection for water supply structures. Suitable for use in Ex zone 1.

**The cover** consisting of a 4 mm thick stainless steel plate with a centrally raised profile, with stable concealed hinges, stainless steel gas assisted spring dampers, integrated arrestor which can only be undone by hand, with handle, with a replaceable circumferential, insect-proof and totally weather-proof rubber seal (frost-proof and weather-resistant) attached to the underside of the cover for low wear, including lock system with anti-drilling protection, as standard with hardened safety lock as recommended by criminal investigation departments and in accordance with the normative standards; the profile cylinder in accordance with DIN 18252 to be provided by the customer.

A connection for potential equalisation is provided.

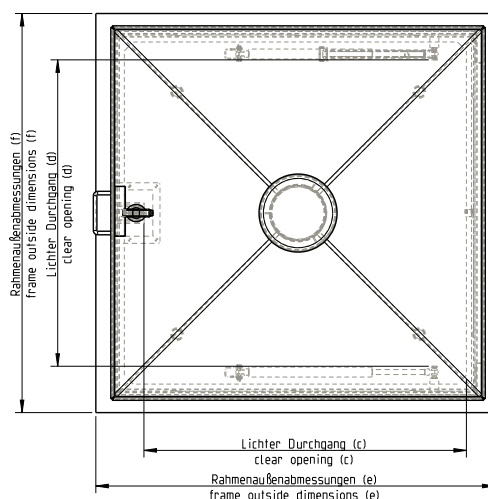
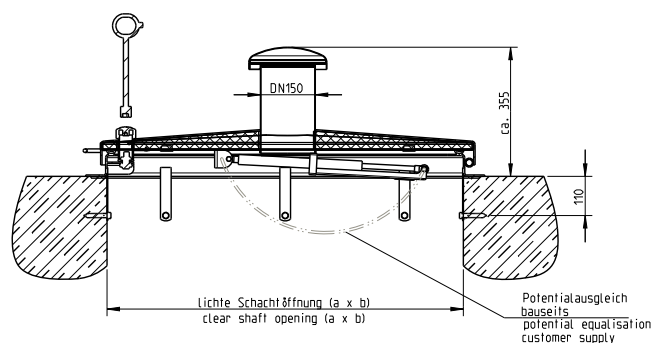
**The frame** is made of bent stainless steel profile, designed for bolted fixing with clips inside the manhole as lift locks.

Manhole cover and frame shielded arc-welded, acid-treated in a pickling bath and passivated.

Operating key included.

**Options:**

- 1.4404 (AISI 316 L) stainless steel
- Air vent DN 150, centrally welded
- Insulation of the cover, without FCKW
- Fixing material and foam rubber gasket
- Non-standard sizes
- Magnetic contact (cover open/shut indicator)
- Lacquer according to RAL colour chart
- Pollen filter or biofilter (for odour elimination) within the air vent
- Safety guard / barrier
- Safety guard / antifall guard



Model	Clear manhole opening a x b	Order no.	Inside pass c x d	Frame outside dimensions e x f
Standard model	600 x 600 (1)	166/GS-RC3	460 x 545	700 x 700
Standard model	800 x 800	188/GS-RC3	660 x 745	900 x 900
Standard model	1000 x 1000	111/GS-RC3	900 x 855	1100 x 1100
With air vent DN 150	600 x 600 (1)	166/GDS-RC3	460 x 545	700 x 700
With air vent DN 150	800 x 800	188/GDS-RC3	660 x 745	900 x 900
With air vent DN 150	1000 x 1000	111/GDS-RC3	900 x 855	1100 x 1100
With insulation of cover, without FCKW	600 x 600 (1)	166/IS-RC3	460 x 545	700 x 700
With insulation of cover, without FCKW	800 x 800	188/IS-RC3	660 x 745	900 x 900
With insulation of cover, without FCKW	1000 x 1000	111/IS-RC3	900 x 855	1100 x 1100
With air vent DN 150 and insulation of cover, without FCKW	600 x 600 (1)	166/IDS-RC3	460 x 545	700 x 700
With air vent DN 150 and insulation of cover, without FCKW	800 x 800	188/IDS-RC3	660 x 745	900 x 900
With air vent DN 150 and insulation of cover, without FCKW	1000 x 1000	111/IDS-RC3	900 x 855	1100 x 1100

**Ask for further dimensions.** All measurements in mm.

(1) Note: According to German standards DGUV Provision 22 "Abwassertechnische Anlagen" and DVGW Worksheet W122 "Abschlussbauwerke für Brunnen der Wassergewinnung", the minimum clear width of entrance openings must be 0.8 m.

**HUBER SE**

Industriepark Erasbach A1 · D-92334 Berching  
Phone: + 49 - 84 62 - 201 - 0 · Fax: + 49 - 84 62 - 201 - 810  
info@huber.de · Internet: www.huber.de

Subject to technical modification  
Drawing no. 51116380, 5.2022

Manhole cover SD3-RC3, attack-proof / security tested,  
weather-proof, rectangular type