

➤➤ Guard grate ASG.P, load-bearing up to 200 kg/m²



Guard grate in accordance with DGUV regulation 103-007, rectangular, made from 1.4307 (AISI 304 L) stainless steel, universally applicable and retrofittable under manhole covers.

Guard grate manufactured from angle profile, load-bearing up to 200 kg/m², with hinges and gas pressure spring for easy opening and closing.

Support made of angle profile, for internal bolted fixing under the manhole cover.

Guard grate for mounting under the manhole cover and above or next to the climbing system.

Both grate and support are shielded arc-welded and acid bath cleaned before washing, drying and surface passivation.

Fixing material included.

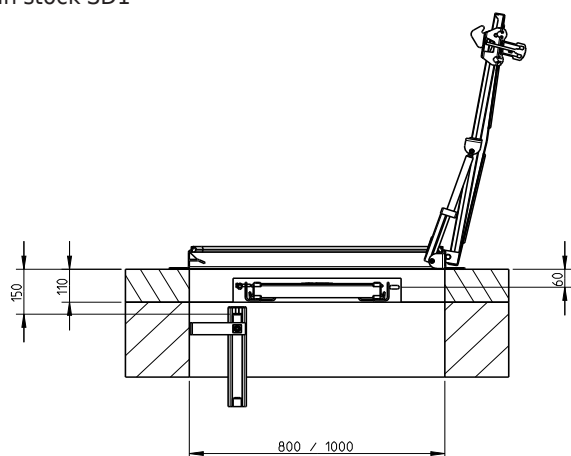
Options:

- 1.4404 (AISI 316 L) stainless steel
- Removable grate for round manholes
- Non-standard sizes

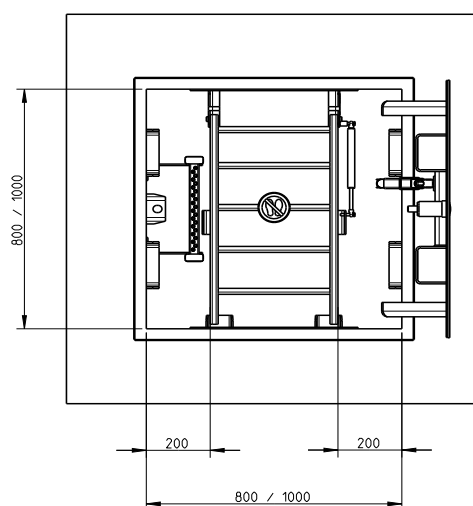
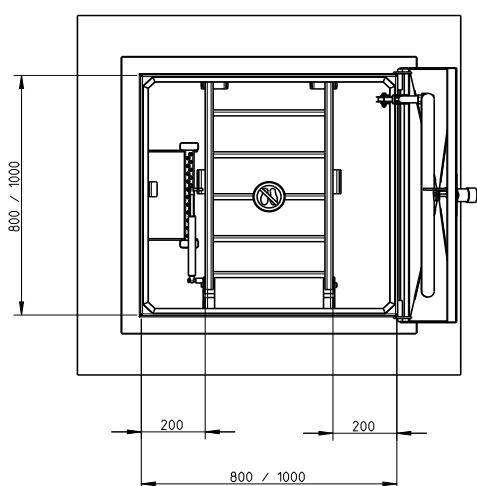
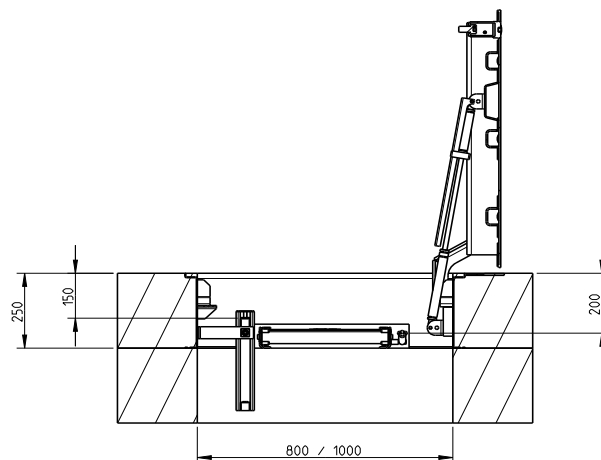


The figure shown here may contain special accessories

In stock SD1



In stock SD7



Model	Clear manhole opening a x b	Order no.
Standard model	800 x 800	ASG.P 800x800 W400
Standard model	1000 x 1000	ASG.P 1000x1000 W600

Ask for further dimensions. All measurements in mm.

HUBER SE

Industriepark Erasbach A1 · D-92334 Berching
Phone: +49-84 62-201-0 · Fax: +49-84 62-201-810
info@huber.de · Internet: www.huber.de

Subject to technical modification
Ident.-Nr. 51620898, 5.2022

Guard grate ASG.P,
load-bearing up to 200 kg/m²